



* prices and lots upon request

Custom Valves

CUSTOM VALVES SUMMARY

VALVES



- MINIVALVES SERIES VME, MECHANICALLY HAND OPERATED

G3.4



- VALVES SERIES 70, HAND OPERATED

G3.6



- VALVES SERIES 70, MECHANICALLY OPERATED, 1/8"

G3.9



- VALVES SERIES 70 PNEUMATIC

G3.12



- VALVES SERIES 70, SOLENOID/PNEUMATIC

G3.13

- REPOSITIONING FOR VALVES SERIES 70

G3.18



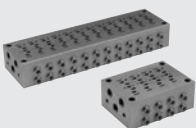
- PILOT WITH THROUGH BASE

G3.19



- SOLENOID VALVE CNOMO WITH HAND LEVER OPERATOR

G3.20



- MULTIPLE BASES FOR MACH 18 VALVES

G3.21



- VALVES ISO 5599/1, PNEUMATIC SERIES IPV

G3.22



- VALVES ISO 5599/1, SOLENOID/PNEUMATIC, SERIES ISV

G3.23

VALVE ISLANDS AND FIELDBUS



- HDM FOR THE SPLASH AREA

G3.25

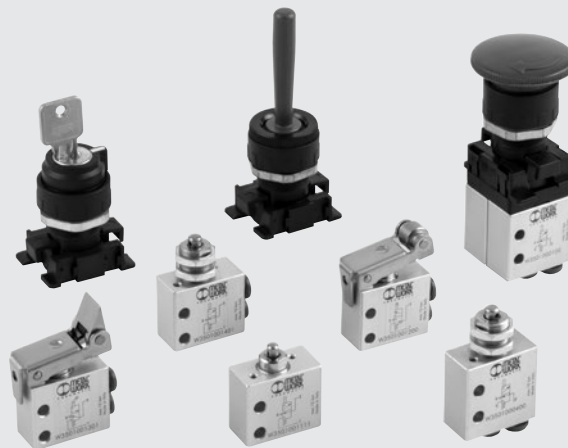


- MULTIMACH WITH FRONT ATTACHMENT

G3.27

MINIVALVES SERIES VME, MECHANICALLY HAND OPERATED

- Minivalves with 2/2 or 3/2 NO NC poppet
- Installation in any position
- Push-in fittings for pipe \varnothing 4, \varnothing 6 mm and M5 on the valve body
- Low actuation force
- Rapid, accurate signal
- Mechanical actuation
- The 2 places adapter allows manual actuation of 1 or 2 VME valves with manual \varnothing 22 panel actuators. Thus it is possible to obtain 3/2, 5/2, 5/3 open centre and 5/3 pressure centre pneumatic functions.
- On request, it is possible to place a NC-NO electric switch next to a VME valve for mixed solenoid/pneumatic signals.

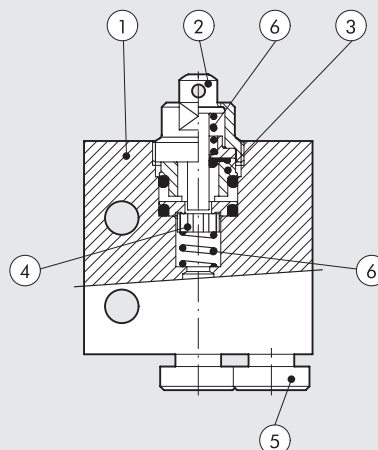


TECHNICAL DATA

Valve fitting port	Push-in fitting for pipe \varnothing 4 or \varnothing 6 and M5 (axial or side)
Fluid	Filtered air without lubrication; lubrication, if used, must be continuous
Type	With poppet
Versions	Mechanical and manual
Operators:	With Plunger – Plunger for wall-mounting – Roller lever – Unidirectional roller lever
• mechanical	Depending on the type of actuation panel selected
• manual	
Operating pressure	bar
Operating temperature range	$^{\circ}\text{C}$
Nominal diameter	mm
Conductance C	Nl/min · bar
Critical ratio b	bar/bar
Flow rate at 6 bar ΔP 0.5 bar	Nl/min
Flow rate at 6 bar ΔP 1 bar	Nl/min
Actuation force – Plunger at 6 bar	N
Recommended lubricant	ISO and UNI FD22
Installation	In any position
Compatibility with oils	See chapter Z1

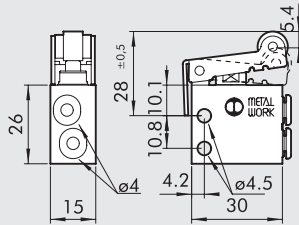
COMPONENTS

- ① VALVE BODY: Aluminium
- ② BUTTON: chemically nickel-plated brass
- ③ DISTANCE PLATES: Brass
- ④ GASKETS: NBR
- ⑤ PUSH-IN FITTING CARTRIDGES: stainless steel, brass and plastic
- ⑥ SPRINGS: stainless steel

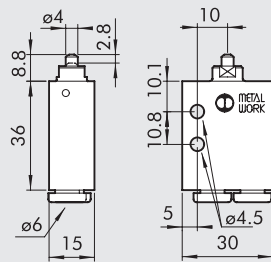


ROLLER LEVER 2/2 NC Ø 4 - SIDE FITTINGS

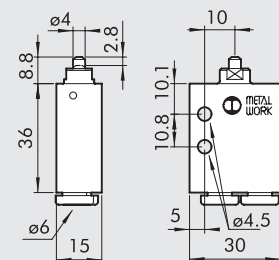
Code	Description	Weight [g]
8286919	VME2-0S NC Ø4	42


PLUNGER 3/2 NO Ø 6 - AXIAL FITTINGS

Code	Description	Weight [g]
W3501000130	VME1-30 NO Ø6	51


PLUNGER 3/2 NC Ø 6 - AXIAL FITTINGS

Code	Description	Weight [g]
W3501000131	VME1-31 NC Ø6	51



VALVES SERIES 70, HAND OPERATED

TECHNICAL DATA		1/8"	1/4"	1/2"
Operating pressure range:		Vacuum ÷ 10		
• version with direct control	bar	from 2.5 to 10		
• Pilot-assisted version	bar	from -10 to +60		
Operating temperature range		°C		
Nominal diameter	mm	5	7.5	15
Conductance C	NI/min · bar	121.43	264.26	971.43
Critical ratio b	bar/bar	0.32	0.27	0.43
Flow rate at 6 bar ΔP 0.5 bar	NI/min	400	750	3200
Flow rate at 6 bar ΔP 1 bar	NI/min	550	1100	4600



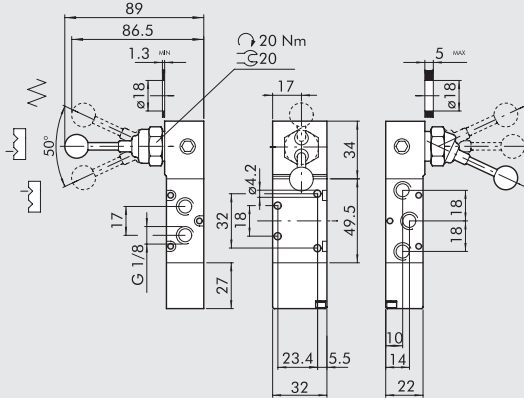
SYNOPTIC, SIZES AND VERSION						
M A V	2	3	PP	S	NC	
FAMILY	DIMENSIONS	FUNCTION	OPERATION 14	REPEATED OPERATION (12)	FURTHER DETAILS	
MAV manual valves	2 1/8" 3 1/4" 4 1/2"	3 3/2 5 5/2 6 5/3 8 2 x 3/2	PP drawer VL axial lever LE 90° lever BRE arranged for manual panel actuators SP special	A pneumatic/ mechanical spring* S mechanical spring B bistable D differential O stable for 5/3 P pneumatic	NC normally closed NO normally open OO no indication CC closed centres OC open centres PC pressure centres SP special	
*on demand						

VALVES SERIES 70, HAND OPERATED, 1/8"

FRONT LEVER 3/2, 1/8" MONOSTABLE				FRONT LEVER 5/2, 1/8" MONOSTABLE			
Symbol	Code	Abbrev.	Weight [g]	Symbol	Code	Abbrev.	Weight [g]
	8800801	MAV 23 VLS NC	130		8826334	MAV 25 VLS OO	156

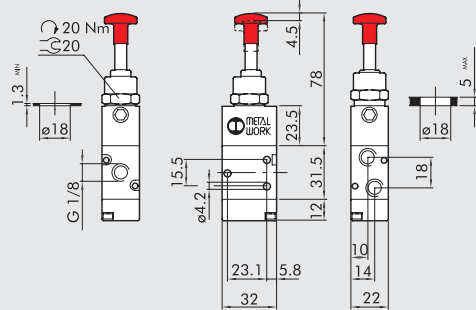
CUSTOM PRODUCTS VALVES SERIES 70, HAND OPERATED

90° ANGULAR LEVER 5/3, 1/8" WITH 2 STABLE POSITIONS



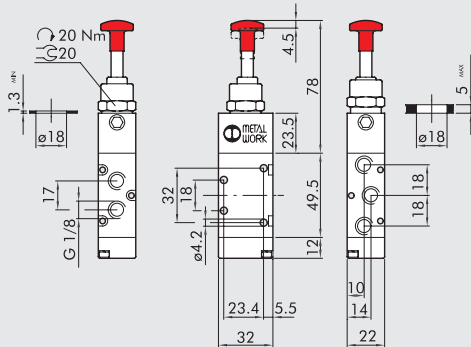
Symbol	Code	Abbrev.	Weight [g]
	8829106	MAV 26 SPB CC	242
	8294569	MAV 26 SPB OC	242

RED DRAWER 3/2, 1/8"



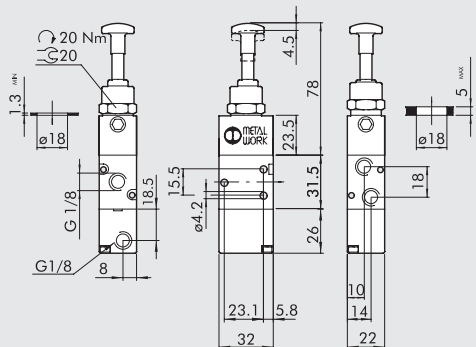
Symbol	Code	Abbrev.	Weight [g]
	7010001301	MAV 23 PPB OO	134
	7010001201	MAV 23 PPS NC	134

RED DRAWER 5/2, 1/8"



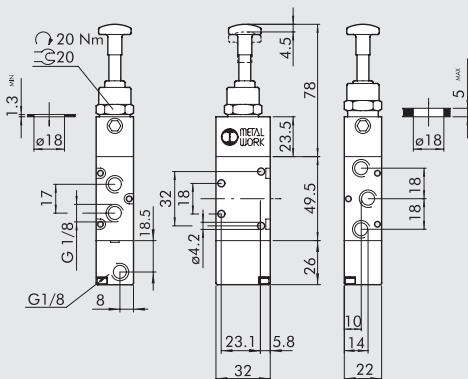
Symbol	Code	Abbrev.	Weight [g]
	7010001601	MAV 25 PPB OO	160
	7010001501	MAV 25 PPS OO	160

DRAWER 3/2, 1/8" PNEUMATIC RETURN



Symbol	Code	Abbrev.	Weight [g]
	8826503	MAV 23 PPP NC	148

DRAWER 5/2, 1/8" PNEUMATIC RETURN

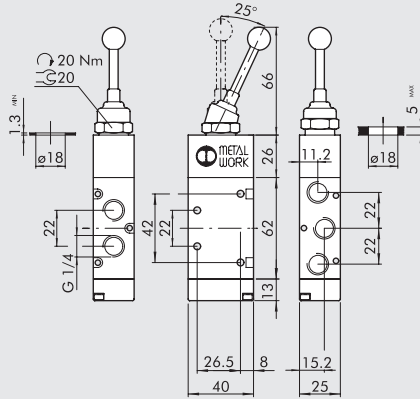


Symbol	Code	Abbrev.	Weight [g]
	8287369	MAV 25 PPP NC	174

NOTES

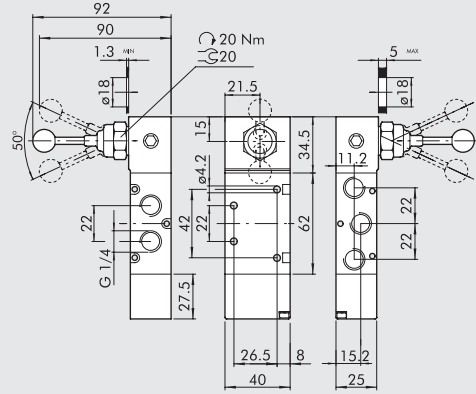
VALVES SERIES 70, HAND OPERATED, 1/4"

FRONT LEVER 5/2, 1/4" MONOSTABLE



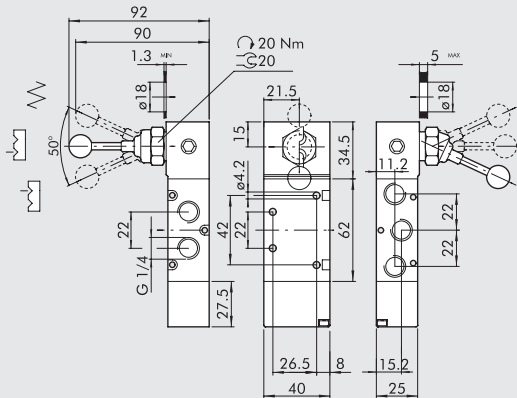
Symbol	Code	Abbrev.	Weight [g]
	8826332	MAV 35 VLS OO	194

90° ANGULAR LEVER 5/3, 1/4" WITH PRESSURISED PORT 2 AT THE CENTRE



Symbol	Code	Abbrev.	Weight [g]
	8826526	MAV 36 LES SP	354

90° ANGULAR LEVER 5/3, 1/4" WITH 2 STABLE POSITIONS



Symbol	Code	Abbrev.	Weight [g]
	8396201	MAV 36 LES SP	354

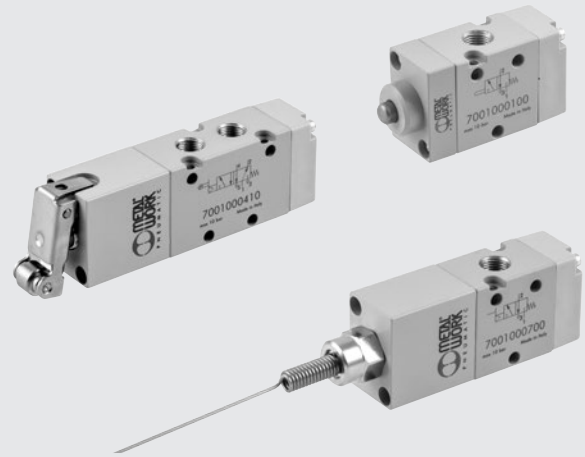
NOTES

VALVES SERIES 70, MECHANICALLY OPERATED, 1/8"

**METAL
WORK**[®]
P N E U M A T I C

TECHNICAL DATA

Thread at valve ports		1/8"
Operation force at 6 bar:		
• Version with direct control	N	50
• Pilot-assisted Version	N	6
Operating pressure:		
• Version with direct control	bar	from vacuum to 10
• Pilot-assisted version	bar	from 2.5 to 10
Operating temperature range	°C	from -10 to +60
Nominal diameter	mm	5
Conductance C	Nl/min · bar	121.43
Critical ratio b	bar/bar	0.32
Flow rate at 6 bar ΔP 0.5 bar	Nl/min	400
Flow rate at 6 bar ΔP 1 bar	Nl/min	550

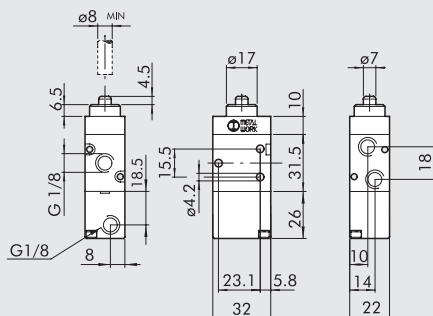


SYNOPTIC, SIZES AND VERSION

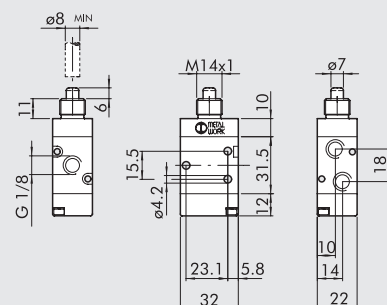
M E V		2		3		T A		S		N C			
FAMILY		DIMENSIONS		FUNCTION		OPERATORS 14		RESETTING (12)		FURTHER DETAILS			
MEV	mechanically operated valves	2	1/8"	3	3/2	5	5/2	TA	plunger	S	mechanical springs	NC	normally closed
								BR	bidirectional roller	A	pneumatic/mechanical spring*	OO	5/2
								UR	unidirectional roller	P	pneumatic	SP	special
								TS	sensitive plunger	B	bistable		
								RS	sensitive roller				
								AS	sensitive aerial				
								LL	frontal roller lever				
								LV	unidirectional lever				
								LS	sensitive lever				
								LR	extended roller lever				

*on demand

PLUNGER 3/2, 1/8" PNEUMATIC RETURN



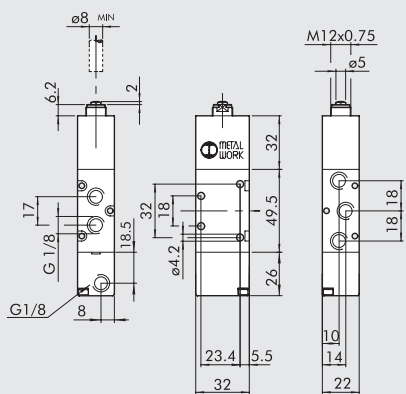
PLUNGER 3/2, 1/8" FOR FIXING TO PANEL



Symbol	Code	Abbrev.	Weight [g]
	8825961	MEV 23 TAP OO	102

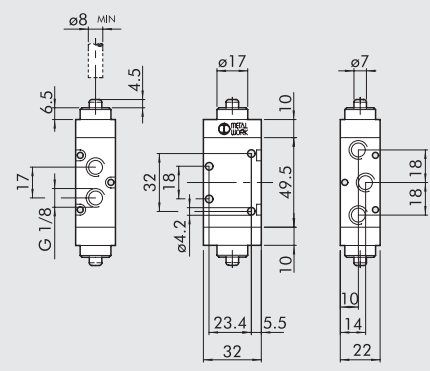
Symbol	Code	Abbrev.	Weight [g]
	8829123	MEV 23 TAS SP	102

PILOT-ASSISTED PLUNGER 5/2, 1/8" PNEUMATIC RETURN



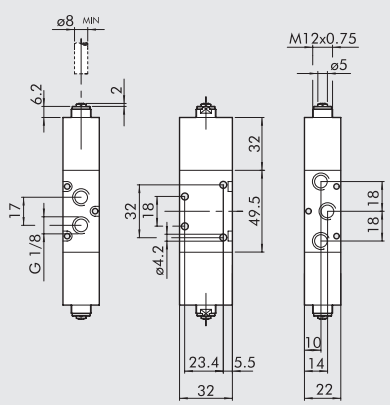
Symbol	Code	Abbrev.	Weight [g]
	7010001902	MAV 25 BTP OO	166

DOUBLE PLUNGER 5/2, 1/8"



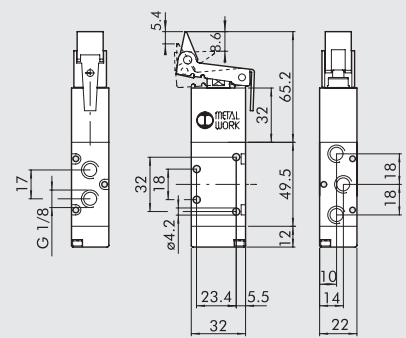
Symbol	Code	Abbrev.	Weight [g]
	7001000130	MEV 25 TAB OO	143

PILOT-ASSISTED DOUBLE PLUNGER 5/2, 1/8"



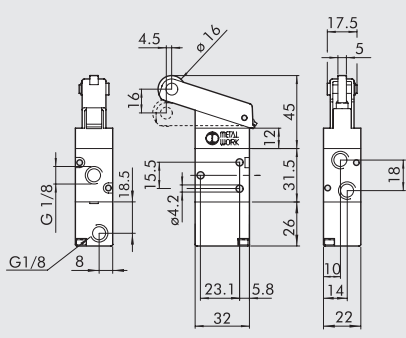
Symbol	Code	Abbrev.	Weight [g]
	7001000230	MEV 25 TSB OO	233

PILOT-ASSISTED UNIDIRECTIONAL ROLLER LEVER 5/2, 1/8"



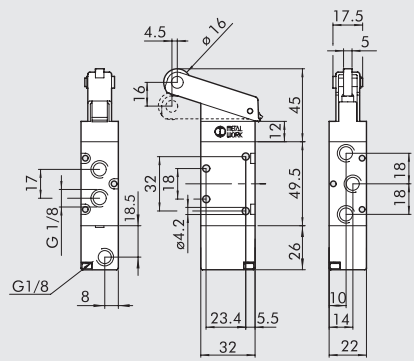
Symbol	Code	Abbrev.	Weight [g]
	7001000413	MEV 25 LUS OO	189

ROLLER LEVER 3/2, 1/8" PNEUMATIC RETURN



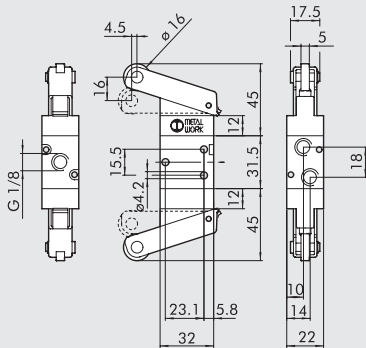
Symbol	Code	Abbrev.	Weight [g]
	8293308	MEV 23 BRP NC	144

ROLLER LEVER 5/2, 1/8" PNEUMATIC RETURN



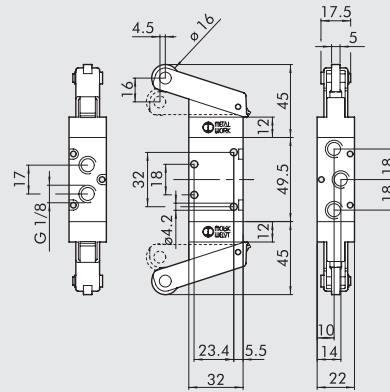
Symbol	Code	Abbrev.	Weight [g]
	88301P4	MEV 25 BRP OO	170

DOUBLE ROLLER LEVER 3/2, 1/8"



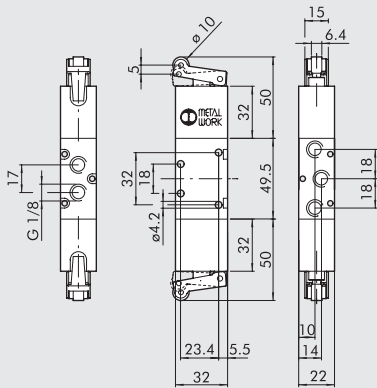
Symbol	Code	Abbrev.	Weight [g]
	7001000530	MEV 23 BRB OO	223

DOUBLE ROLLER LEVER 5/2, 1/8"



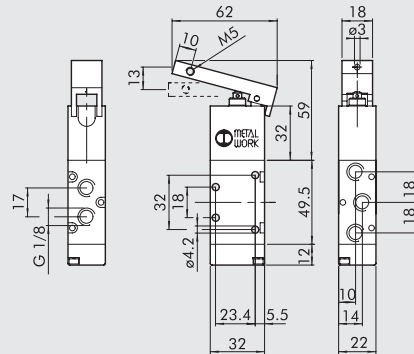
Symbol	Code	Abbrev.	Weight [g]
	7001000540	MEV 25 BRB OO	285

PILOT-ASSISTED DOUBLE ROLLER LEVER 5/2, 1/8"



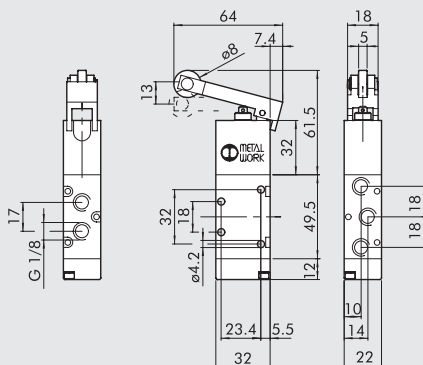
Symbol	Code	Abbrev.	Weight [g]
	7001000430	MEV 23 RSB OO	255

PILOT-ASSISTED LEVER WITHOUT ROLLER 5/2, 1/8"



Symbol	Code	Abbrev.	Weight [g]
	7001000411	MEV 25 LSS OO	209

EXTENDED PILOT-ASSISTED ROLLER LEVER 5/2, 1/8"



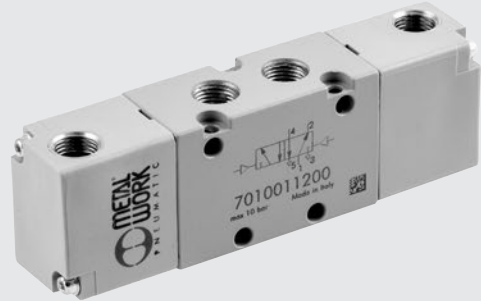
Symbol	Code	Abbrev.	Weight [g]
	7001000412	MEV 25 LRS OO	213

NOTES

VALVES SERIES 70, PNEUMATIC

TECHNICAL DATA

		1/8"	1/4"	1/2"
Operating pressure	bar	from vacuum to 10		
Minimum pilot pressure				
• monostable	bar	2.5		
• bistable	bar	1		
Operating temperature range	°C	from -10 to +60		
Nominal diameter	mm	5	7.5	15
Conductance C	NI/min · bar	121.43	264.26	971.43
Critical ratio b	bar/bar	0.32	0.27	0.43
Flow rate at 6 bar ΔP 0.5 bar	NI/min	400	750	3200
Flow rate at bar ΔP 1 bar	NI/min	550	1100	4600
TRA / TRR monostable at 6 bar	ms	6/15	7/15	16/46
TRA / TRR bistable at 6 bar	ms	7/7	7/7	16/16

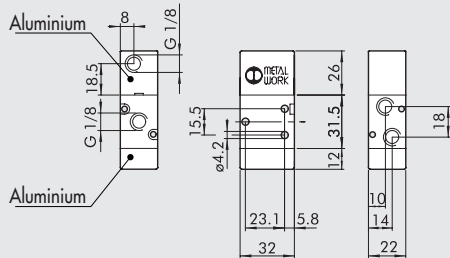


SYNOPTIC, SIZES AND VERSION

PNV		2		3		PN		S		NC	
FAMILY		DIMENSIONS		FUNCTION		OPERATORS 14		RESETTING (12)		FURTHER DETAILS	
PNV	pneumatic valves	2	1/8"	3	3/2	PN	pneumatic	S	mechanical springs	OO	5/2
		3	1/4"	5	5/2			B	bistable	NC	normally closed
		4	1/2"	6	5/3			D	differential	NO	normally open
								O	stable for 5/3	CC	closed centres
								A	pneumatic/mechanical spring*	OC	open centres
									*on demand	PC	pressure centres

VALVES SERIES 70 PNEUMATIC 1/8"

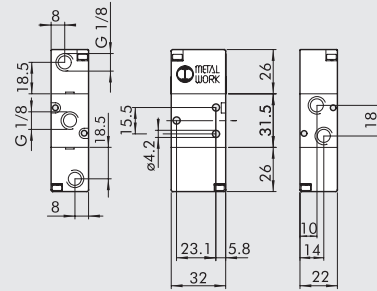
MONOSTABLE 3/2, NC 1/8" FOR HIGH TEMPERATURE



Working temperature: -10° to +80°C / Use ethylic alcohol anti-freeze

Symbol	Code	Abbrev.	Weight [g]
	8000211	PNV 23 PNS	148

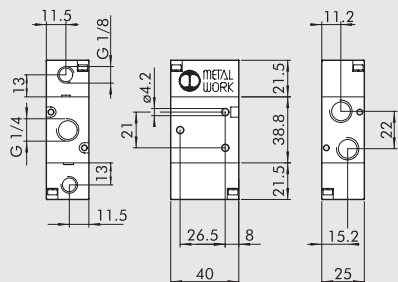
DIFFERENTIAL BISTABLE 3/2, 1/8"



Symbol	Code	Abbrev.	Weight [g]
	8830196	PNV 23 PND NC	96

VALVES SERIES 70 PNEUMATIC 1/4"

DIFFERENTIAL BISTABLE 3/2, 1/4"



Symbol	Code	Abbrev.	Weight [g]
	8829108	PNV 33 PND NC	134

NOTES

VALVES SERIES 70, SOLENOID/PNEUMATIC

**METAL
WORK**[®]
P N E U M A T I C

TECHNICAL DATA		1/8"	1/4"	3/8"	1/2"
Operating pressure:					
• monostable	bar		from 2.5 to 10		
• bistable	bar		from 1 to 10		
• asserved	bar		from vacuum to 10		
Minimum pilot pressure	bar		2.5		
Operating temperature range	°C		from -10 to +60		
Nominal diameter	mm	5	7.5	13.3	15
Conductance C	Nl/min · bar	121.43	264.26	505.52	971.43
Critical ratio b	bar/bar	0.32	0.27	0.32	0.43
Flow rate at 6 bar ΔP 0.5 bar	Nl/min	400	750	1560	3200
Flow rate at 6 bar ΔP 1 bar	Nl/min	550	1100	2150	4600
TRA / TRR monostable at 6 bar	ms	15/35	19/45	21/72	36/60
TRA / TRR bistable at 6 bar	ms	20/20	21/21	18/18	30/30
Hand operator			bistable		
Coil voltage values		12; 24 VDC - 24; 110; 220 VAC 50/60Hz			
Power		2 W (DC) 3VA (AC)			
Voltage tolerance	%	from -10 to +15			
Insulation class		F 155			
Maximum coil nut torque	Nm	1			



SYNOPTIC, SIZES AND VERSION

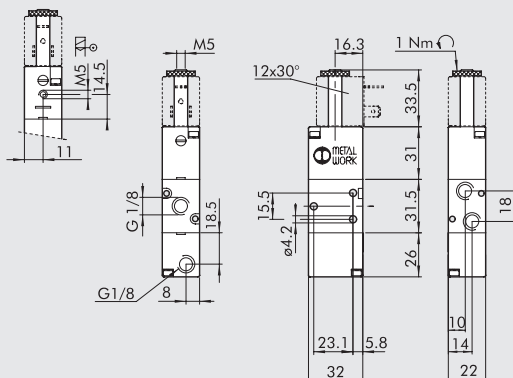
SOV	2	3	SO	S	NC
FAMILY	DIMENSIONS	FUNCTION	OPERATORS 14	RESETTING (12)	FURTHER DETAILS
SOV solenoid/pneumatic	2 1/8" 3 1/4" C 3/8" 4 1/2"	3 3/2 5 5/2 6 5/3	SO solenoid SE solenoid assisted	S mechanical springs B bistable D differential P pneumatic ◆ A pneumatic/mechanical spring L pneumatic spring	NC normally closed NO normally open CC closed centres OC open centres PC pressure centres OO no indication SP special ▲ ML hand lever operator

◆ On demand

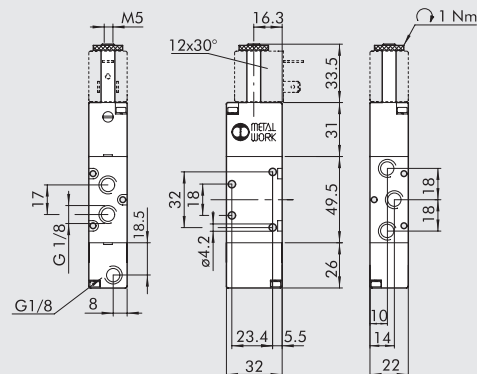
▲ Only available for size 1/8", 1/4" and 3/8"

VALVES SERIES 70, SOLENOID/PNEUMATIC, PILOT-ASSISTED SOLENOID/PNEUMATIC, 1/8"

MONOSTABLE 3/2 NC, 1/8" PNEUMATIC RETURN



MONOSTABLE 5/2, 1/8" PNEUMATIC RETURN

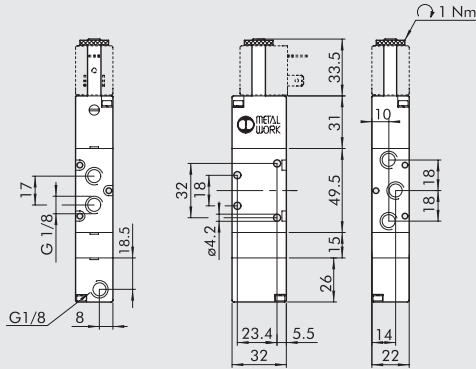


Symbol	Code	Abbrev.	Weight [g]
	7010020800	SOV 23 SOP NC	114
	7010020510	SOV 23 SEP NC	114

Symbol	Code	Abbrev.	Weight [g]
	7010021501	SOV 25 SOP OO	142

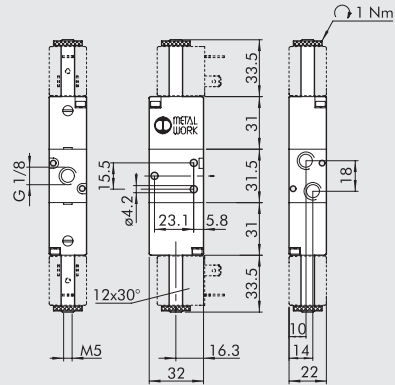
Please contact our sales offices for further information and quotation.

MONOSTABLE 5/3, 1/8" PNEUMATIC RETURN



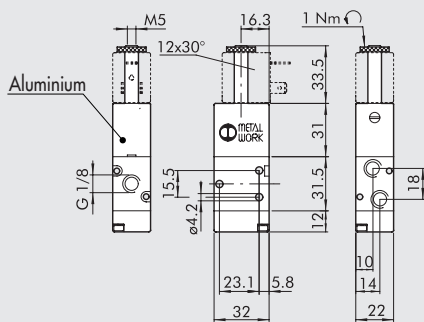
Symbol	Code	Abbrev.	Weight [g]
	7010022800	SOV 26 SOP CC	204

BISTABLE DIFFERENTIAL 3/2, 1/8"



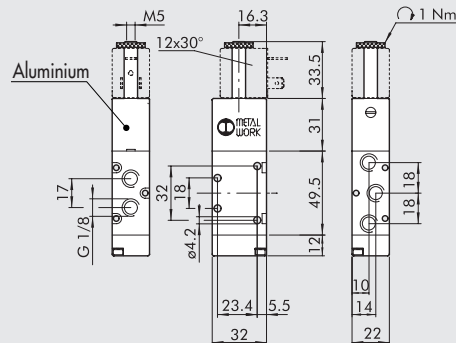
Symbol	Code	Abbrev.	Weight [g]
	8287210	SOV 23 SOD NC	135

MONOSTABLE 3/2, NC 1/8" HAND-OPERATED ON THE FEED SIDE



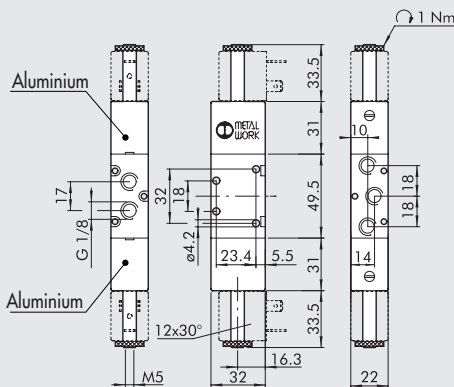
Symbol	Code	Abbrev.	Weight [g]
	8830195	SOV 23 SOS SP	100

MONOSTABLE 5/2, 1/8" HAND-OPERATED ON THE FEED SIDE



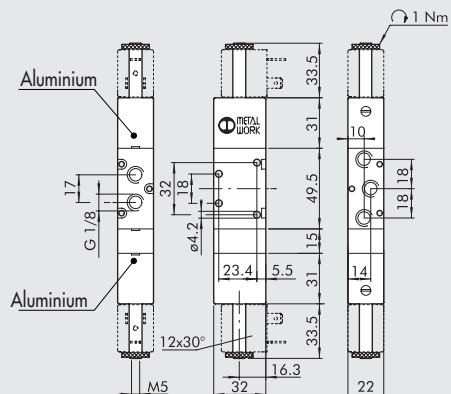
Symbol	Code	Abbrev.	Weight [g]
	8286807	SOV 25 SOS SP	128

BISTABLE 5/2, 1/8" HAND-OPERATED ON THE FEED SIDE



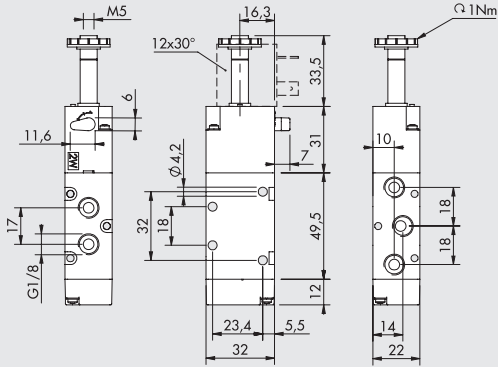
Symbol	Code	Abbrev.	Weight [g]
	8286808	SOV 25 SOB SP	160

MONOSTABLE 5/3, 1/8" HAND-OPERATED ON THE FEED SIDE



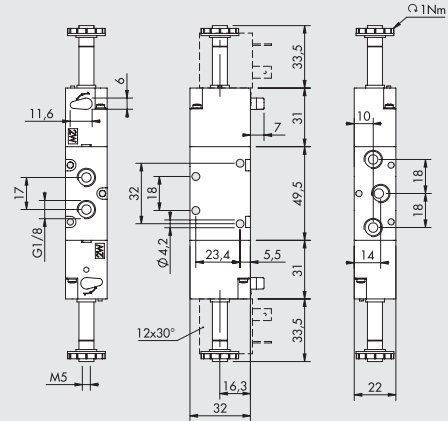
Symbol	Code	Abbrev.	Weight [g]
	8286911	SOV 26 SOS SP	190

MONOSTABLE 5/2 1/8" HAND LEVER OPERATOR



Symbol	Code	Abbrev.	Weight [g]
	88291AT	SOV 25 SOS ML	128

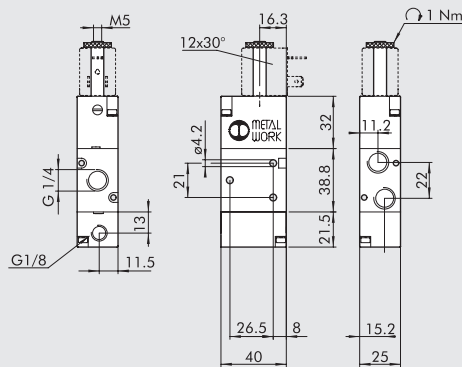
BISTABLE 5/2 1/8" HAND LEVER OPERATOR



Symbol	Code	Abbrev.	Weight [g]
	88291AV	SOV 25 SOB ML	160

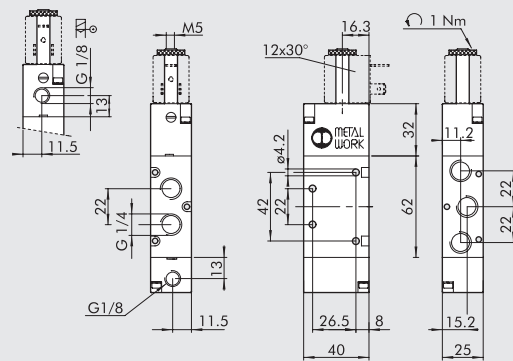
VALVES SERIES 70, SOLENOID/PNEUMATIC, PILOT-ASSISTED SOLENOID/PNEUMATIC, 1/4"

MONOSTABLE 3/2 NC, 1/4" PNEUMATIC RETURN



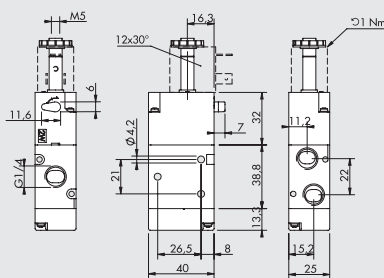
Symbol	Code	Abbrev.	Weight [g]
	7020020800	SOV 33 SOP OO	166

MONOSTABLE 5/2, 1/4" PNEUMATIC RETURN



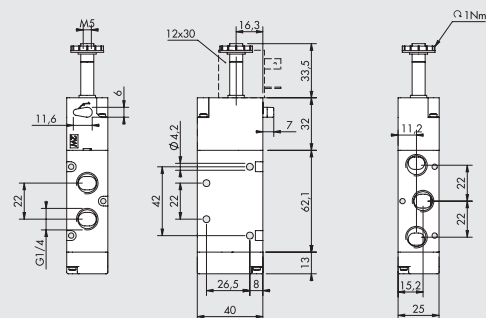
Symbol	Code	Abbrev.	Weight [g]
	7020021700	SOV 35 SOP OO	214
	7020021800	SOV 35 SEP OO	214

MONOSTABLE 3/2 NC 1/4" HAND LEVER OPERATOR



Symbol	Code	Abbrev.	Weight [g]
	88291C1	SOV 33 SOS NC ML	152

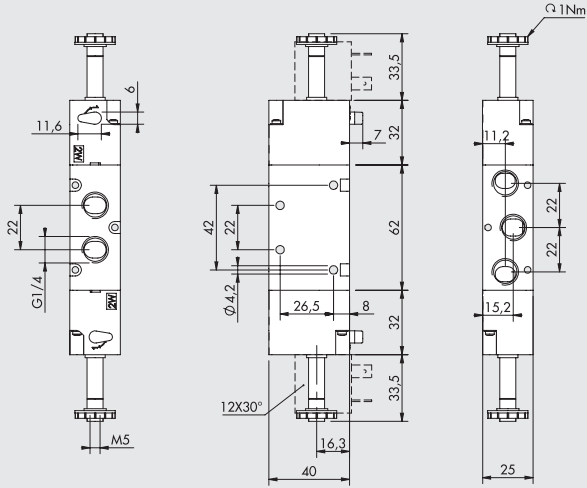
MONOSTABLE 5/2 1/4" HAND LEVER OPERATOR



Symbol	Code	Abbrev.	Weight [g]
	88291AR	SOV 35 SOS ML	200

Please contact our sales offices for further information and quotation.

BISTABLE 5/2 1/4" HAND LEVER OPERATOR

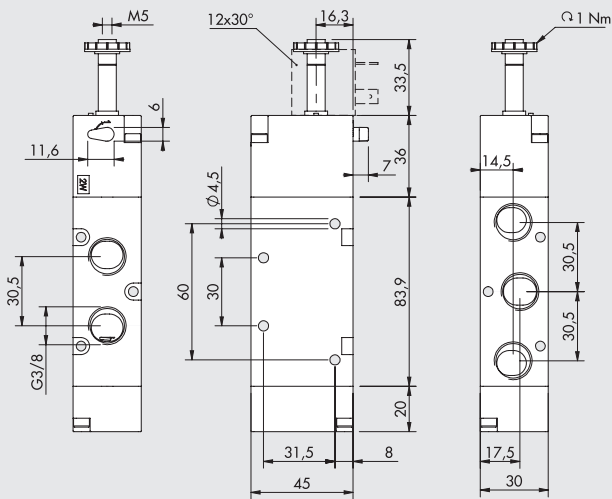


Symbol	Code	Abbrev.	Weight [g]
	88291AS	SOV 35 SOB ML	236

NOTES

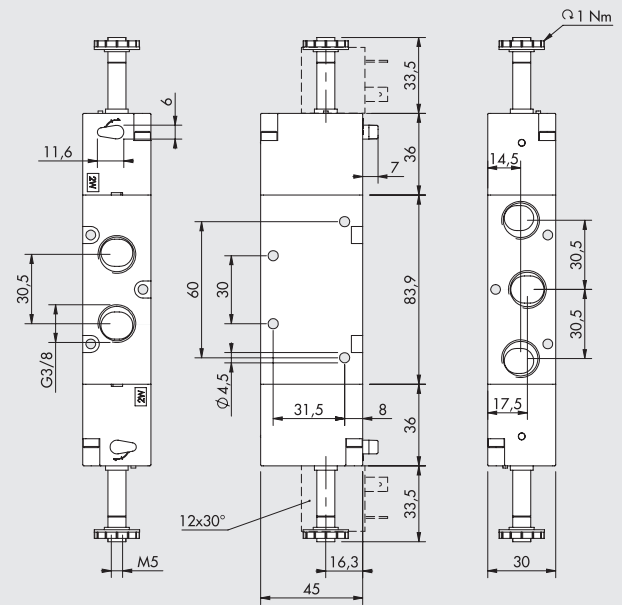
VALVES SERIES 70, SOLENOID/PNEUMATIC, 3/8"

MONOSTABLE 5/2 3/8" HAND LEVER OPERATOR



Symbol	Code	Abbrev.	Weight [g]
	8827298	SOV C5 SOS ML	361

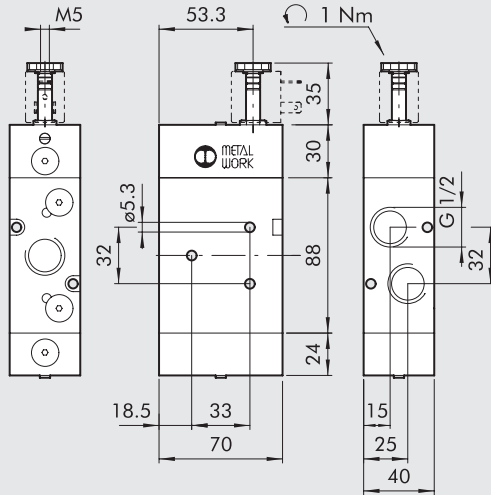
BISTABLE 5/2 3/8" HAND LEVER OPERATOR



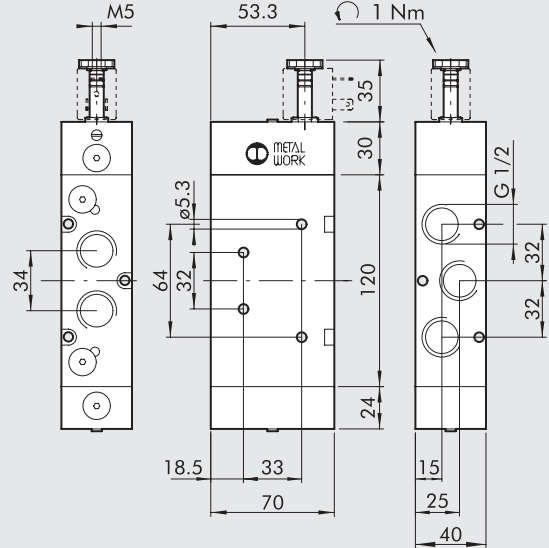
Symbol	Code	Abbrev.	Weight [g]
	88272A5	SOV C5 SOB ML	400

VALVES SERIES 70, SOLENOID/PNEUMATIC, 1/2"

MONOSTABLE 3/2 NO, 1/2" PNEUMATIC SPRING



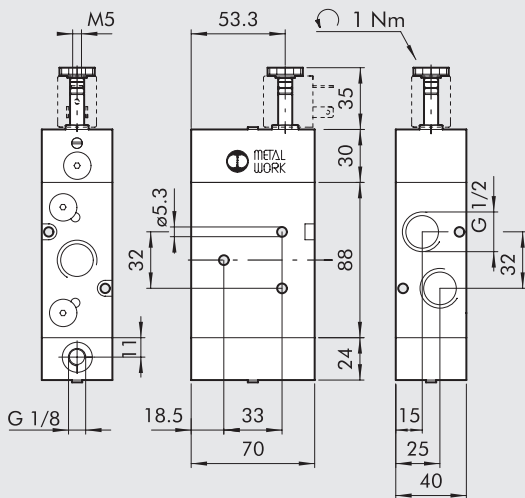
MONOSTABLE 5/2, 1/2" PNEUMATIC SPRING



Symbol	Code	Abbrev.	Weight [g]
	7030020820	SOV 43 SOL NO	940

Symbol	Code	Abbrev.	Weight [g]
	7030021820	SOV 45 SOL OO	1120

MONOSTABLE 3/2 NC, 1/2" PNEUMATIC RETURN



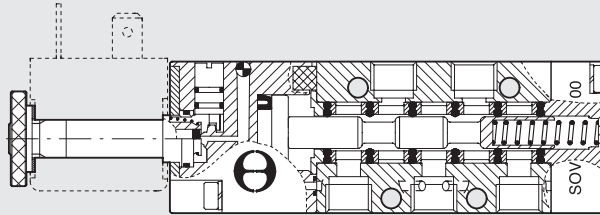
Symbol	Code	Abbrev.	Weight [g]
	7030020201	SOV 43 SOP NC	930

NOTES

REPOSITIONING FOR VALVES SERIES 70

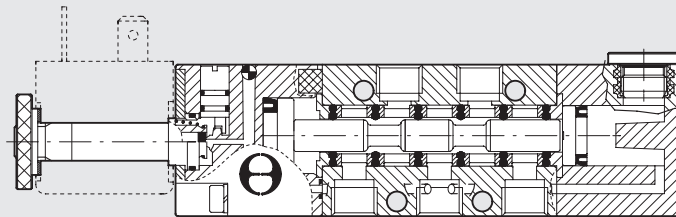
MONOSTABLE WITH "S" MECHANICAL SPRING RETURN

When the solenoid pilot deactivates, the valve is switched by a mechanically-operated spring.



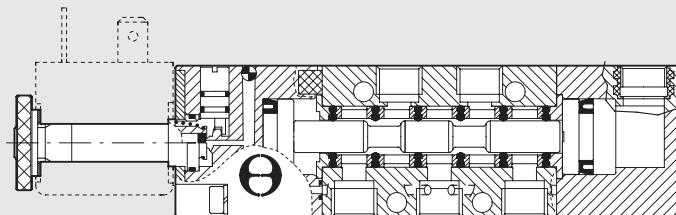
MONOSTABLE WITH "L" PNEUMATIC SPRING RETURN

When the solenoid valve is actuated, the valve switches when the diameter of the control piston is greater than that of the pneumatic spring piston.



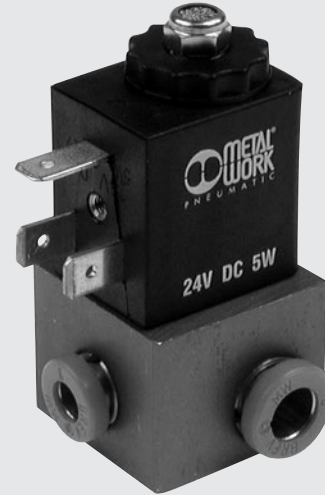
BISTABLE WITH SOLENOID CONTROL AND "P" PNEUMATIC CONTROL

When the solenoid valve is actuated, the valve only switches when pressure is cut out from the pneumatic control, because both pistons have the same diameter.

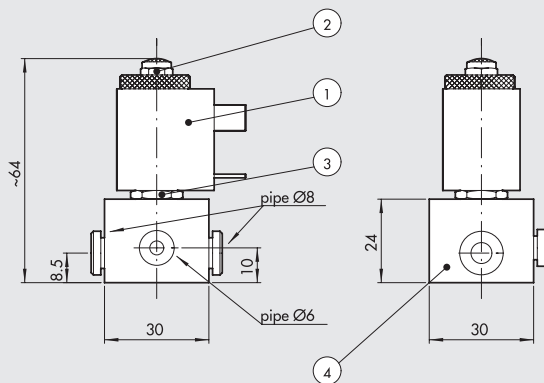


PILOT WITH THROUGH BASE

The base has a through hole with push-in fittings for a $\varnothing 8$ pipe. A 3/2 NC solenoid pilot is mounted on the base, and the output port is connected to a push-in fitting for a $\varnothing 6$ pipe. A silencer is mounted on the pilot drain side. The unit comes complete with a 22-mm coil.



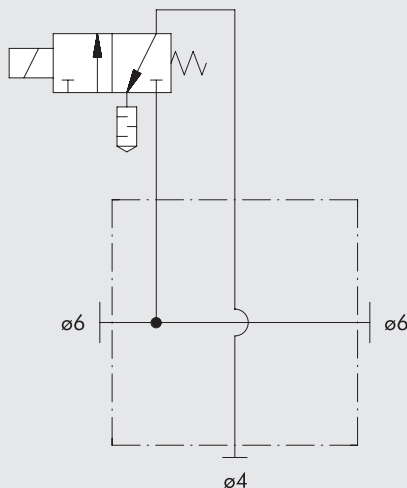
DIMENSIONS AND ORDERING CODES



- ① 22 mm coil, $\varnothing 8$ 5W-24 VDC
- ② Silencer
- ③ 3/2 Pilot, NC 5W:
 - Bore 1.1 mm
 - Max application pressure 10 Bar
- ④ Body made of anodized aluminium

Code	Description
8826323	Special 3/2 pilot

PNEUMATIC SYSTEM DIAGRAM

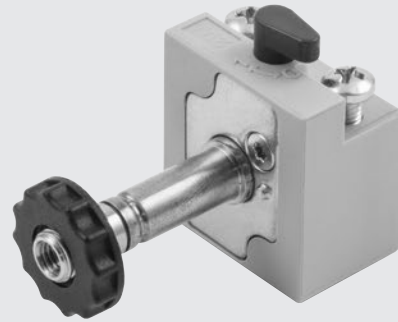


NOTES

SOLENOID VALVE CNOMO WITH HAND LEVER OPERATOR

Solenoid valve to CNOMO 060580.

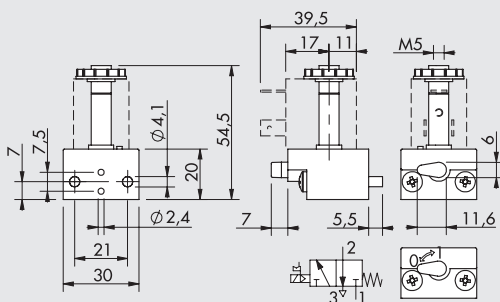
- 3/2 version normally closed.
- Assembly on manifold base.



TECHNICAL DATA

Operating pressure	bar	Max 10
Operating temperature range	°C	-10 to 60
Solenoid rating		100% ED
Fluid		Filtered lubricated or unlubricated air
System		With poppet
Nominal flow rate	l/min	40
TRA/TRR at 6 bar	ms	22/32
Maximum coil nut torque	Nm	1
Tightening torque for M4 fixing screws	Nm	1

DIMENSIONS AND ORDERING CODES



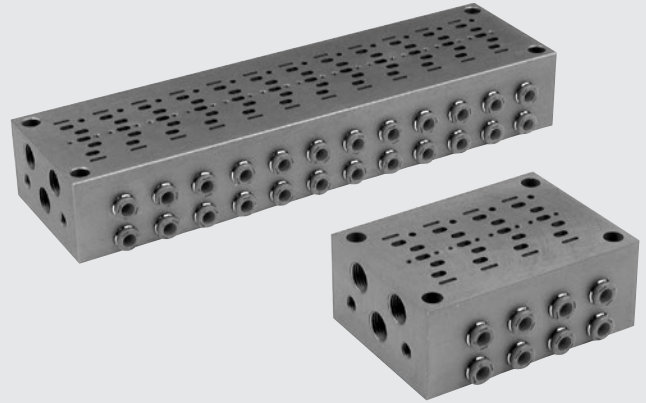
NOTES

Code	Description
88291B9	Cnomo 3/2 with bistable hand lever operator

MULTIPLE BASES FOR MACH 18 VALVES

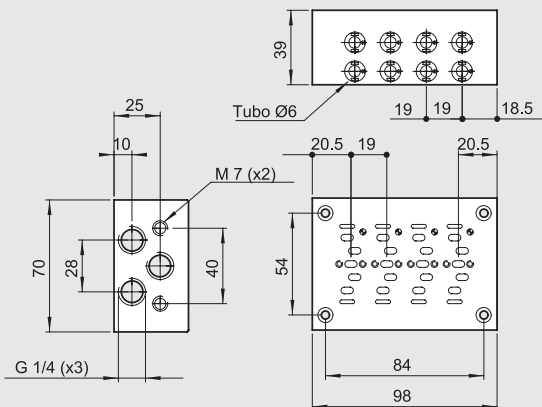


These multiple bases come complete with cartridges and push-in fitting for $\varnothing 6$ pipes on all output ports.

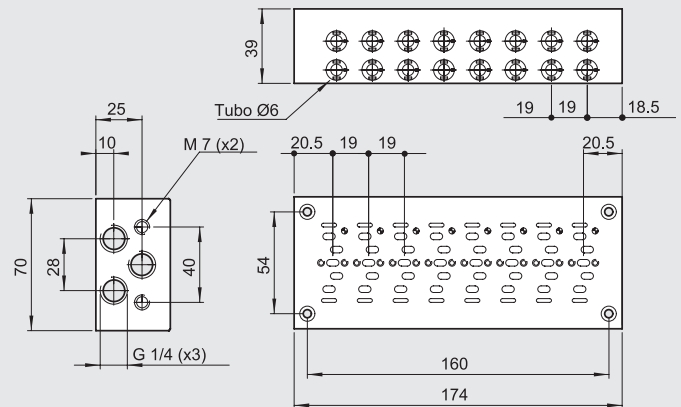


DIMENSIONS AND ORDERING CODES

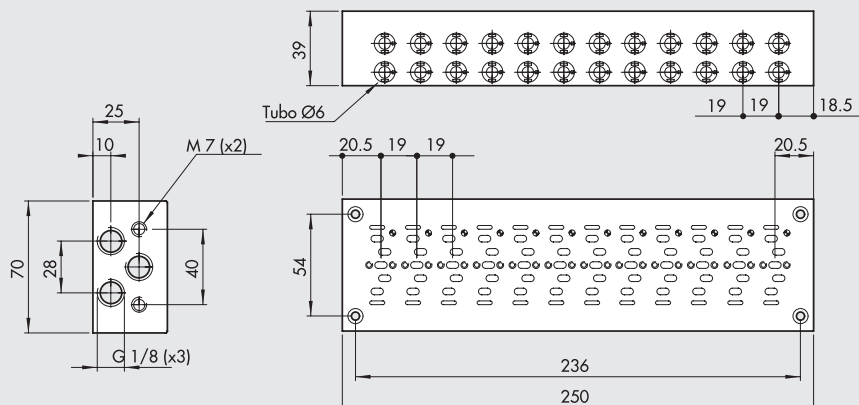
4 POSITIONS



8 POSITIONS



12 POSITIONS



Code	Description	Weight [g]
8826176	4-position base	660
8826177	8-position base	1190
8826178	12-position base	1720

Please contact our sales offices for further information and quotation.

VALVES ISO 5599/1, PNEUMATIC SERIES IPV

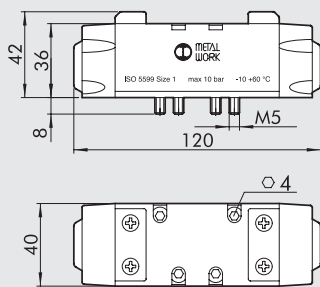
TECHNICAL DATA		ISO 1	ISO 2	ISO 3
Operating pressure	bar	from vacuum to 10		
Minimum operation pressure:				
• monostable	bar	2.5		
• bistable	bar	1		
Operating temperature range	°C	from -10 to +60		
Nominal diameter	mm	7.5	12	15
Conductance C	Nl/min · bar	250	657.14	971.43
Critical ratio b	bar/bar	0.36	0.25	0.43
Flow rate at 6 bar ΔP 0.5 bar	Nl/min	700	1800	3200
Flow rate at 6 bar ΔP 1 bar	Nl/min	1100	2700	4600
Response times at 6 bar:				
• monostable	ms	12	24	35
• bistable	ms	20	30	45
Repositioning response times at 6 bar:				
• monostable	ms	30	43	55
• bistable	ms	20	30	45
Hand operator		Monostable on valve body		



SYNOPTIC, SIZES AND VERSION

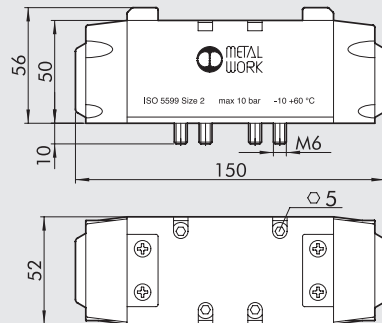
IPV FAMILY		5 DIMENSIONS		5 FUNCTION		PN OPERATORS 14		S RESETTING (12)		OO FURTHER DETAILS	
IPV	ISO pneumatic	5	ISO 1	5	5/2	PN	pneumatic	S	mechanical springs	OO	5/2
		6	ISO 2	6	5/3			B	bistable	CC	closed centres
		7	ISO 3					D	differential	OC	open centres
								L	pneumatic spring	PC	pressure centres
										SP	special

PNEUMATIC ACTUATION - ISO 1 PNEUMATIC SPRING



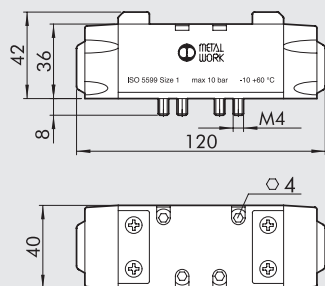
Symbol	Code	Abbrev.	Weight [g]
	7051011420	IPV 55 PNL OO	310

PNEUMATIC ACTUATION - ISO 2 PNEUMATIC SPRING



Symbol	Code	Abbrev.	Weight [g]
	7052011420	IPV 65 PNL OO	705

ANTI-STALL PNEUMATIC ACTUATION



Symbol	Code	Abbrev.	Weight [g]
	8294645	IPV 55 PNB SP	310

The valve normally switches when it is actuated, irrespective of the spool position.
N.B.: M4 screws are not to ISO 5599
 A typical application is for the control of reciprocating pumps.

VALVES ISO 5599/1, SOLENOID/PNEUMATIC, SERIES ISV



TECHNICAL DATA		ISO 1	ISO 2	ISO 3
Operating pressure:	bar			
• monostable	bar	from 2.5 to 10		
• bistable	bar	from 1 to 10		
• pilot-assisted	bar	from vacuum to 10		
Minimum pilot pressure	bar	2.5		
Operating temperature range	°C	from -10 to +60		
Nominal diameter	mm	7.5	12	15
Conductance C	Nl/min · bar	250	657.14	971.43
Critical ratio b	bar/bar	0.36	0.25	0.43
Flow rate at 6 bar ΔP 0.5 bar	Nl/min	700	1800	3200
Flow rate at 6 bar ΔP 1 bar	Nl/min	1100	2700	4600
TRA / TRR monostable at 6 bar	ms	24 / 50	39 / 60	50 / 120
TRA / TRR bistable at 6 bar	ms	20 / 20	25 / 25	35 / 35
Solenoid pilot		Standards CNOMO		
Hand operator		Bistable on solenoid pilot Monostable on valve body		
Coils		30 mm side DIN 43650 Form A - ISO 4400 22 mm side		
Maximum coil nut torque	Nm	1		

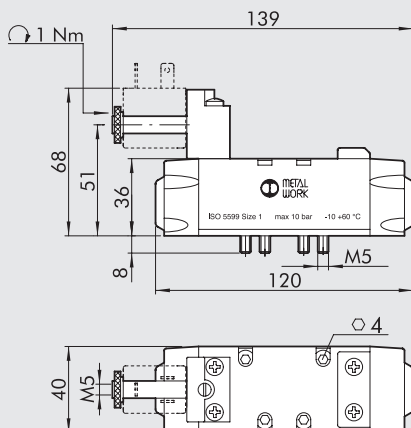


SYNOPTIC, SIZES AND VERSION

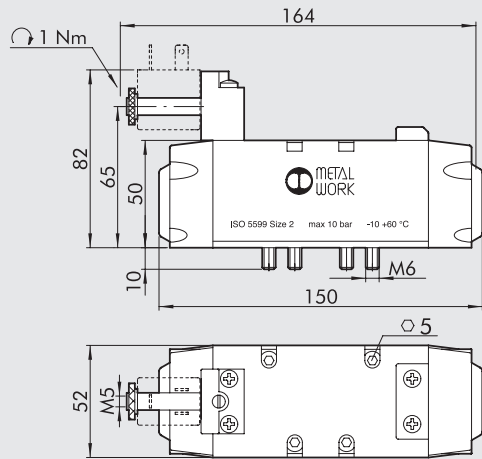
ISV FAMILY		5 DIMENSIONS		3 FUNCTION		SO OPERATORS 14		S RESETTING (12)		OO FURTHER DETAILS	
ISV	solenoid/pneumatic	5	ISO 1	5	5/2	SO	solenoid	S	mechanical springs	OO	5/2
		6	ISO 2	6	5/3	SE	solenoid assisted	B	bistable	CC	closed centres
		7	ISO 3					D	differential	OC	open centres
								L	pneumatic spring	PC	pressure centres
								P	pneumatic control	SP	special
										◆ ML	hand lever operator

◆ Only available for size ISO 3

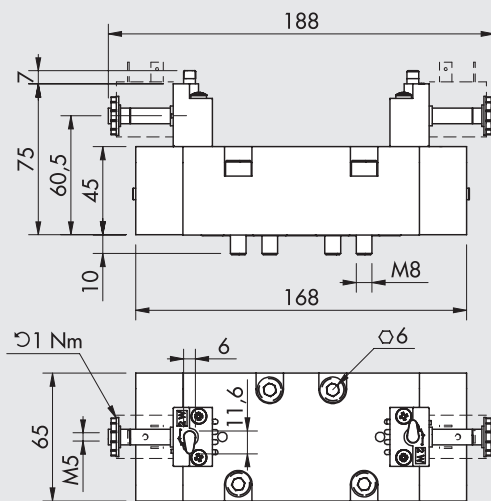
MONOSTABLE 5/2, ISO 1 PNEUMATIC RETURN – PNEUMATIC SPRING



Symbol	Code	Abbrev.	Weight [g]
	7051021700	ISV 55 SOP OO	344
	8293307	ISV 55 SOL OO	344

MONOSTABLE 5/2, ISO 2 PNEUMATIC RETURN

Symbol	Code	Abbrev.	Weight [g]
	7052021700	ISV 65 SOP OO	715

BISTABLE 5/2, ISO 3 WITH HAND LEVER OPERATOR

Symbol	Code	Abbrev.	Weight [g]
	88291B2	ISV 75 SOB ML	1230

NOTES

HDM FOR THE SPLASH AREA

A flange made of technopolymer with an EPDM foam gasket separates the fitting area, called the splash area, from the valves.
The valves are standard HDM for \varnothing 6mm pipes. The input end plate and the blind end plate are designed to be fixed onto the base.
For technical data refer to the standard version.

Islands with 4, 6 or 8 valves can be provided.
The dimensions of the base are the same in all cases.



AVAILABLE COMPONENTS

- **End plate 1-25D spec:** end plate with supply port, \varnothing 10 mm pipe and 25-pin connector.
- **End plate 1 + pilot-25D spec.:** end plate with supply port, \varnothing 10 mm pipe, separate pilot (\varnothing 4 mm pipe) and 25-pin connector.
- **End plate 1 Profibus-DP spec.:** end plate with supply port, \varnothing 10 mm pipe and Profibus connection.
- **End plate 1 + Profibus -DP pilot spec.:** end plate with supply port, \varnothing 10 mm pipe, separate pilot (\varnothing 4 mm pipe) and Profibus connection.
- **Valves:** the solenoid valves are standard HDM with \varnothing 6 mm pipe.
- **Special blind end plate:** special blind end plate for fixing to the plate.
- **Intermediate blind 7R:** blind intermediate end plate with separate supply and discharge ports, \varnothing 6 mm pipes, width 11.5 mm.
The intermediate end plate is installed instead of a valve, so there can be 3, 5 or 7 valves.

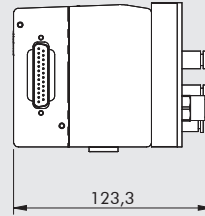
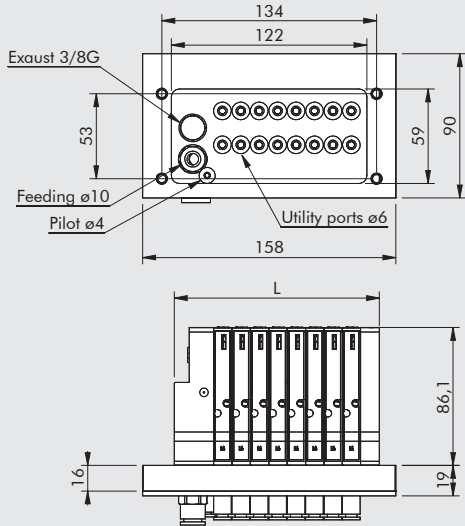
EXAMPLE OF AN ORDERING CODE

HDM for splash area; End plate 1+ Profibus-DP pilot; V6-V6-V6-7R-16-16-5.

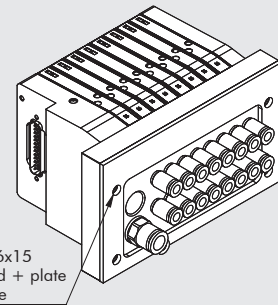
An island will be supplied with an input end plate with separate supply and pilot, Profibus connection, three 5/2 monostable valves, one blind intermediate end plate, two 3/2 NC dual valves and one blind end plate.

DIMENSIONS

HDM

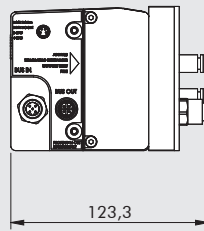
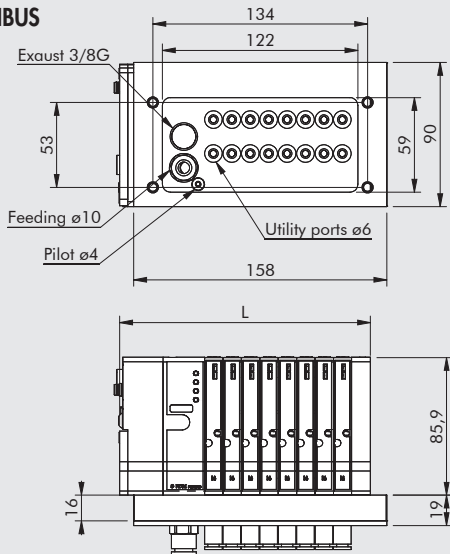


No. valves	L
4	82.4
6	105.2
8	128

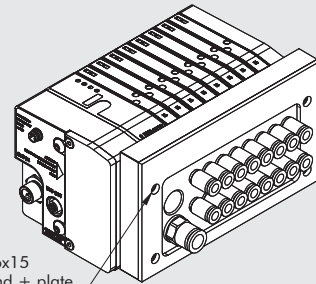


N° 4 holes M6x15 fixing of island + plate to the structure

HDM + PROFIBUS



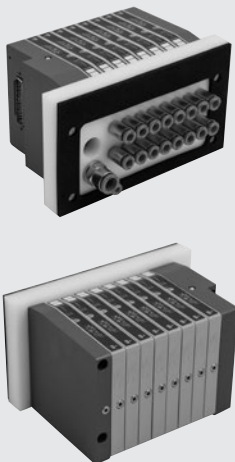
No. valves	L
4	110.9
6	133.7
8	156.5



n 4 holes M6x15 fixing of island + plate to the structure

AVAILABLE ISLANDS

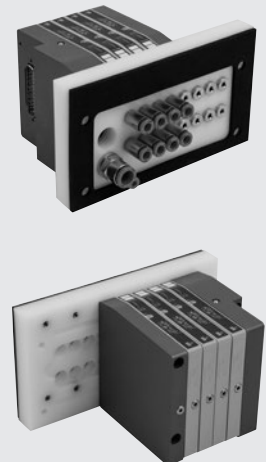
8 positions



6 positions

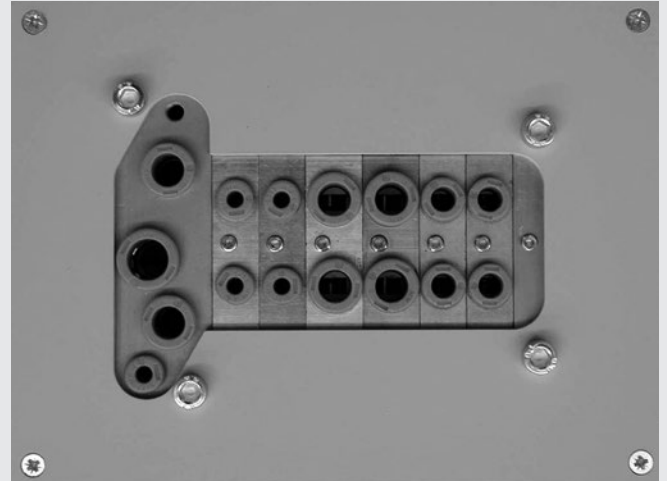


4 positions

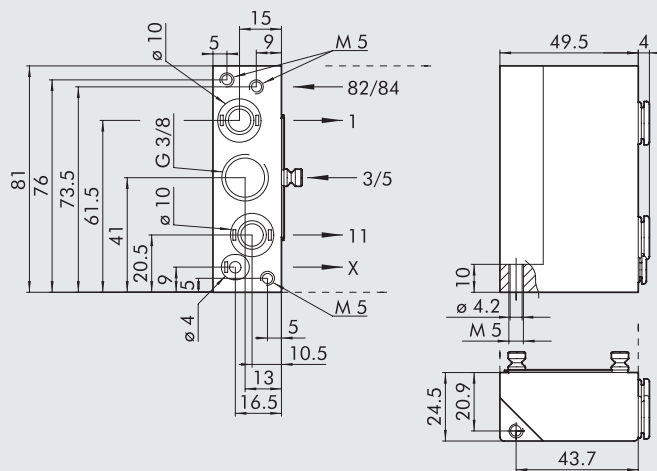


MULTIMACH WITH FRONT ATTACHMENT

There are M5 threaded holes at the front of terminal 1-11 and the blind terminal that allow the panel-type unit to be mounted as shown in the photo.

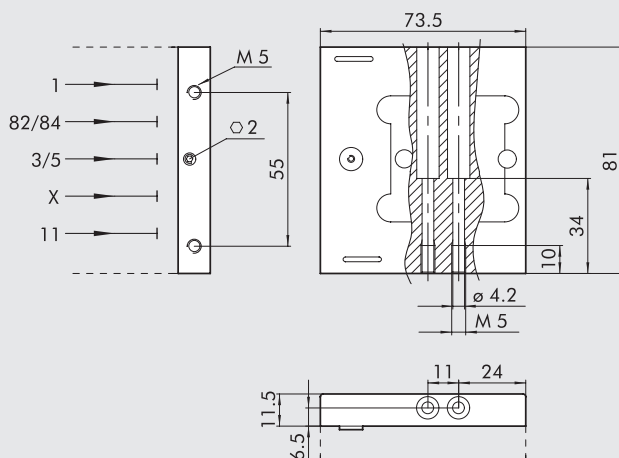


TERMINAL 1-11 FRONT ATTACHMENT



Code	Description
0227300202	Kit terminal 1-11 front attachment

BLIND TERMINAL - FRONT ATTACHMENT



Code	Description
0227300501	Blind terminal and front attachment kit